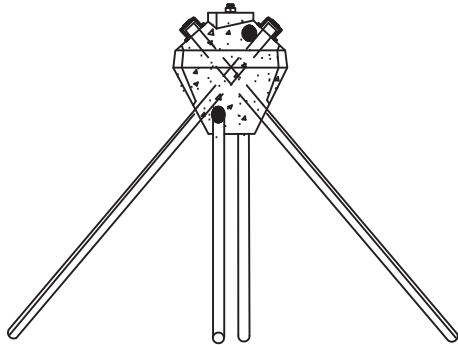
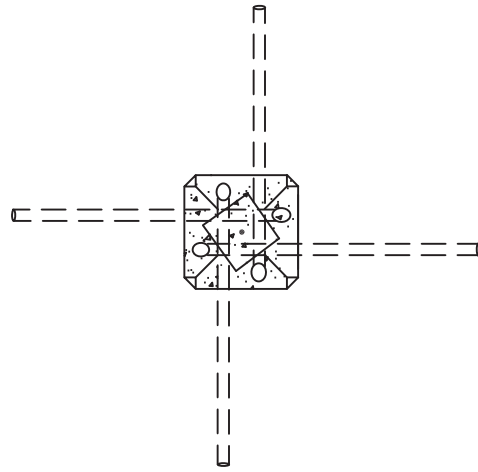


DIAMOND PIER® DP-200E

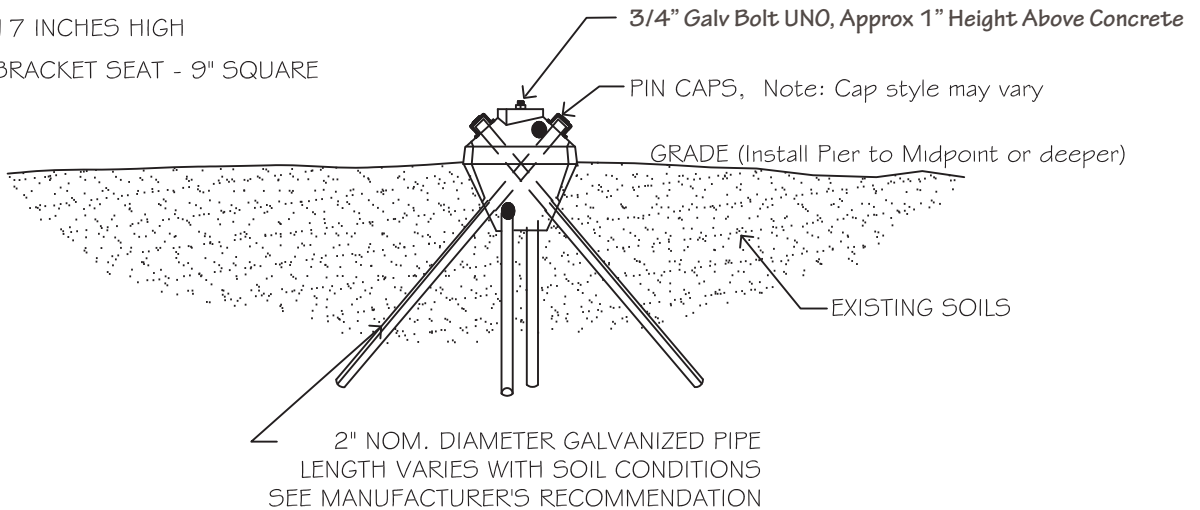


ELEVATION W/ PINS



PLAN VIEW W/ PINS

WEIGHT 210 LBS. (CONCRETE ALONE)
 16 INCHES SQUARE AT MIDPOINT
 17 INCHES HIGH
 BRACKET SEAT - 9" SQUARE



DIAMOND PIER® DP-200E

US PAT. #5039256, #6910832, & #7326003

ALL DETAILS IN WHOLE OR IN PART, OR ANY PORTION THEREOF, ARE COPYRIGHTED BY PIN FOUNDATIONS, INC., AND MAY BE USED BY THE RECIPIENT OR THEIR ASSIGNS FOR PROJECT APPLICATIONS ONLY.

©2018 PIN FOUNDATIONS, INC. ALL RIGHTS RESERVED. DOC0026/01.2018

PIN FOUNDATIONS, INC.

GIG HARBOR, WASHINGTON
 (253) 858-8809