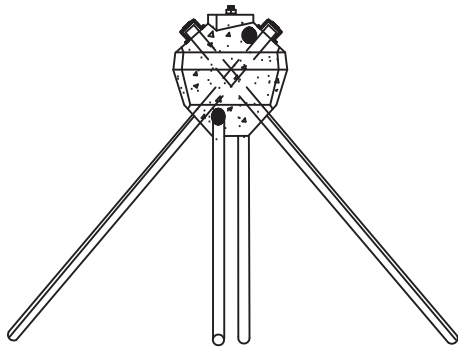
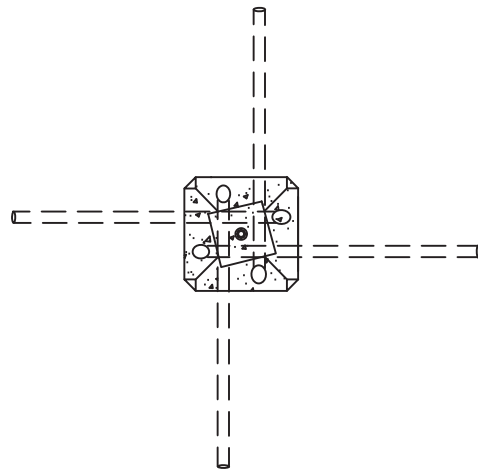


DIAMOND PIER® DP-75

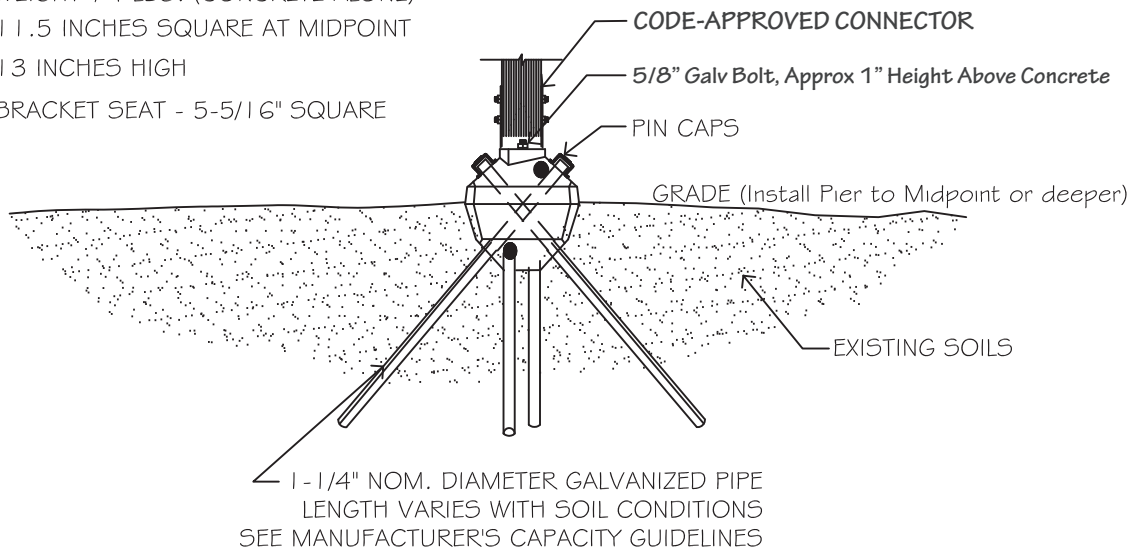


ELEVATION W/ PINS



PLAN VIEW W/ PINS

WEIGHT 74 LBS. (CONCRETE ALONE)
 11.5 INCHES SQUARE AT MIDPOINT
 13 INCHES HIGH
 BRACKET SEAT - 5-5/16" SQUARE



DIAMOND PIER® DP-75

US PAT. #5039256, #6910832, & #7326003

COPYRIGHT: ©2017
 ALL DETAILS IN WHOLE, OR IN PART,
 OR ANY PORTION THEREOF ARE COPYRIGHTED
 BY PIN FOUNDATIONS, INC. AND MAY BE USED
 BY THE RECIPIENT OR THEIR ASSIGNS FOR
 PROJECT APPLICATIONS ONLY.

DOC0024/01.2017

PIN FOUNDATIONS, INC.

GIG HARBOR, WASHINGTON
 (253) 858-8809