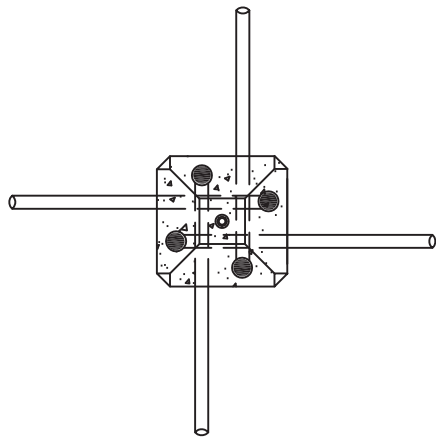
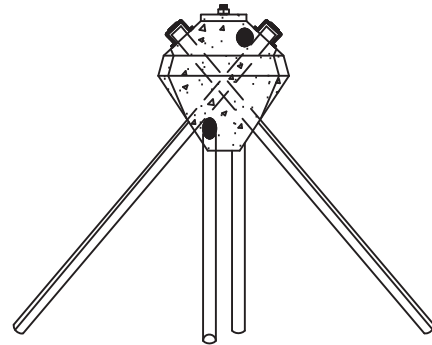


DIAMOND PIER® DP-50

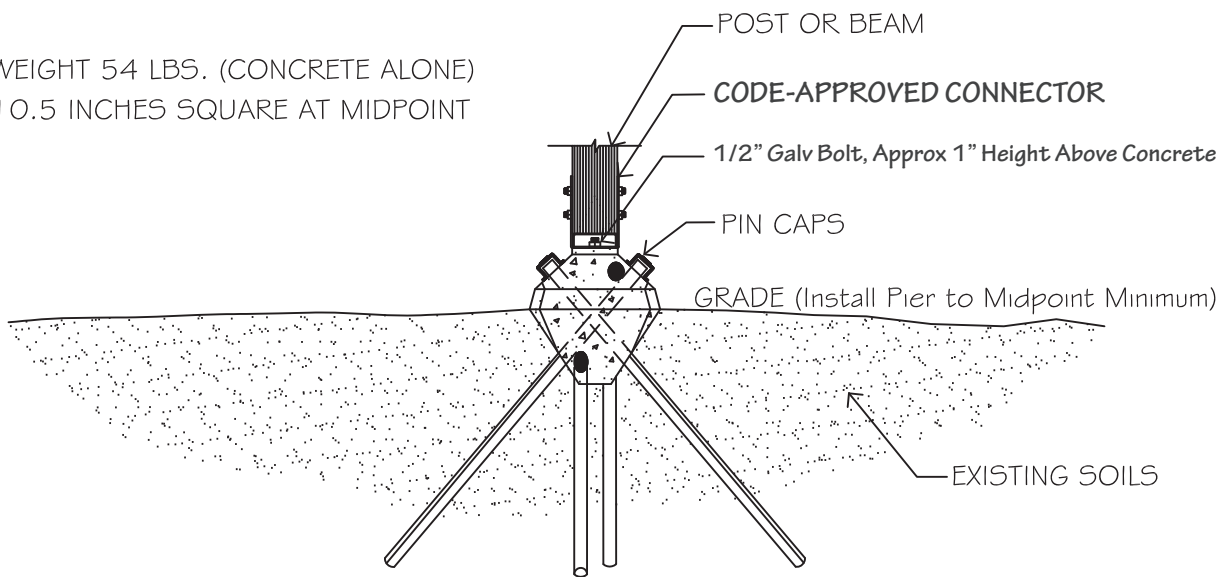


PLAN VIEW W/ PINS



ELEVATION W/ PINS

WEIGHT 54 LBS. (CONCRETE ALONE)
10.5 INCHES SQUARE AT MIDPOINT



1" NOM. DIAMETER GALVANIZED PINS

SEE MANUFACTURER'S INSTALLATION INSTRUCTIONS

DIAMOND PIER® DP-50

DOC0023/01.2017

US PAT. #5039256, #6910832, & #7326003

COPYRIGHT: ©2017
ALL DETAILS IN WHOLE, OR IN PART,
OR ANY PORTION THEREOF ARE COPYRIGHTED
BY PIN FOUNDATIONS, INC. AND MAY BE USED
BY THE RECIPIENT OR THEIR ASSIGNS FOR
PROJECT APPLICATIONS ONLY.

PIN FOUNDATIONS, INC.

GIG HARBOR, WASHINGTON
(253) 858-8809