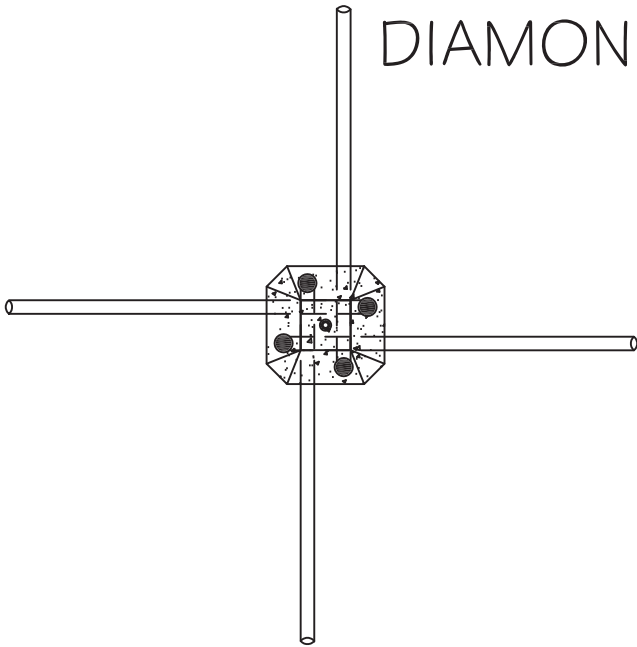
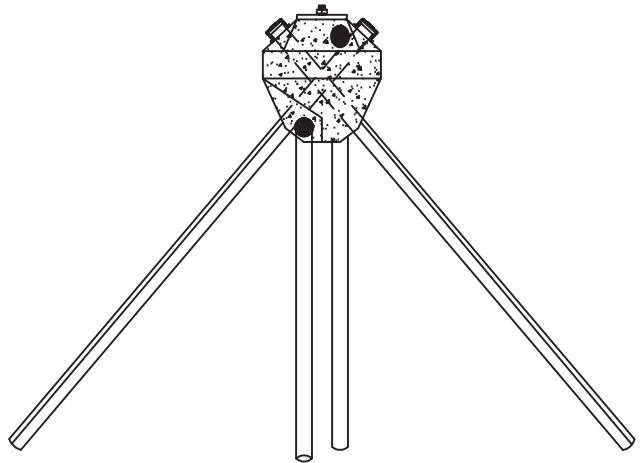


# DIAMOND PIER® DP-100E



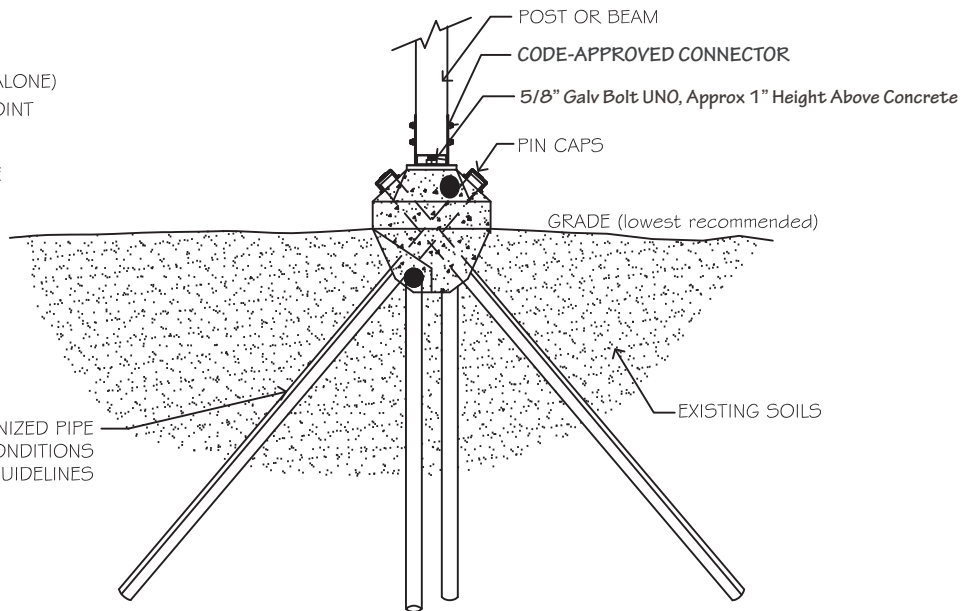
PLAN VIEW W/ PINS



ELEVATION W/ PINS

WEIGHT 96 LBS. (CONCRETE ALONE)  
 13 INCHES SQUARE AT MIDPOINT  
 14 INCHES HIGH  
 BRACKET SEAT - 5.5" SQUARE

1.5" NOM. DIAMETER GALVANIZED PIPE  
 NOTE: LENGTH VARIES WITH SOIL CONDITIONS  
 SEE MANUFACTURER'S CAPACITY GUIDELINES



# DIAMOND PIER® DP-100E

US PAT. #5039256, #6910832, & #7326003

**COPYRIGHT: © 2017**  
 ALL DETAILS IN WHOLE, OR IN PART,  
 OR ANY PORTION THEREOF ARE COPYRIGHTED  
 BY PIN FOUNDATIONS, INC. AND MAY BE USED  
 BY THE RECIPIENT OR THEIR ASSIGNS FOR  
 PROJECT APPLICATIONS ONLY.

DOC0025/01.2017

**PIN FOUNDATIONS, INC.**

GIG HARBOR, WASHINGTON  
 (253) 858-8809